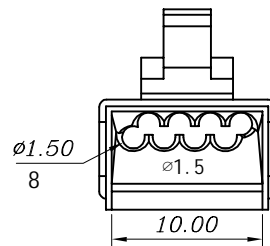
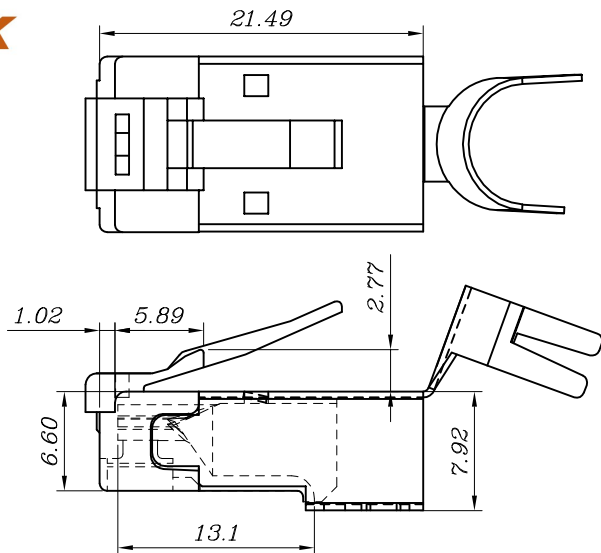
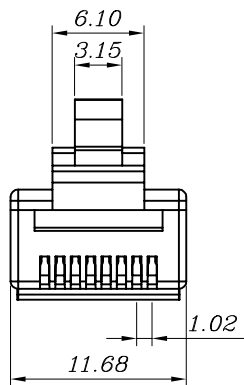


Giga-Maxx



SPECIFICATIONS

- ELECTRICAL:**
 UL APPLICATIONS: 250 VOLTS AC MAX. AT 2 AMPS.
 DIELECTRIC WITHSTANDING VOLTAGE : 1000 VOLTS AC. 60 SEC.
 INSULATION RESISTANCE: 500 MΩ.
 CONTACT RESISTANCE: 20mΩ MAX.
 OPERATING AMBIENT TEMPERATURE: -40°C - 70°C.
- MECHANICAL:**
 STRAIN RELIEF: 20POUND MIN.
 DURABILITY: 1200 MATING CYCLES.
- MATERIAL:**
 HOUSING: POLYCARBONATE, UL94V-0 OR UL94V-2.
 COLOR: TRANSPARENT OR OTHER COLOR ARE AVAILABLE.
 CONTACT BLADE: COPPER ALLOY.
 GOLD PLATING: 3u"-50u", ARE AVAILABLE.
 SHIELDED SHELL: COPPER NICKEL ALLOY.
- USAGE:**
 SUITABLE FOR STRANDED & SOLID WIRE 23AWG ~ 26 AWG.
 (It can be used for the wire OD from Ø 1.35 ~ Ø1.45)

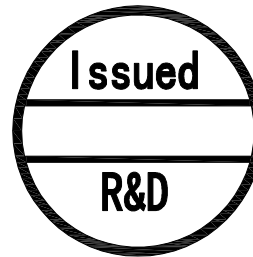
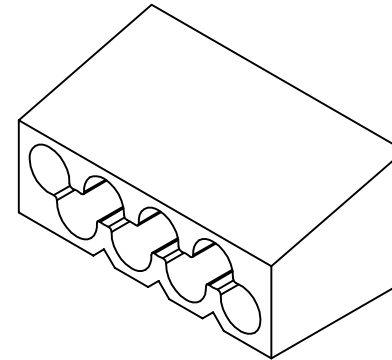
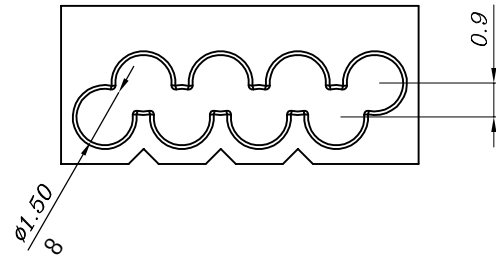
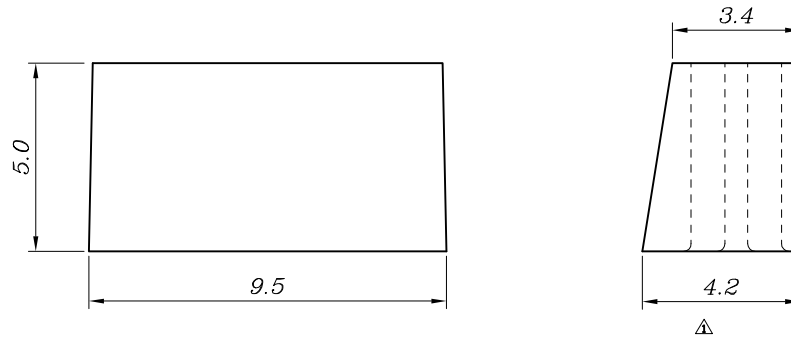
BLADE:	E	EB	Y	YB	Z	A	AE	AB
Drawing								
Mark					✓			

GOLD PLATING	3Mu"	3u"	6u"	15u"	30u"	50u"	CABLE TYPE	ROUND	FLAT
Mark						✓	Mark	✓	

Giga-Maxx		GM-8P8C_Cat6ACat7 FTP Plug	
DIMENSION IN mm (Inch) TOLERANCE UNLESS OTHERWISE SPECIFIED		MATERIAL PC	DWG NO. 2021
.X±0.20	.X°±5°	TITLE	
.XX±0.10	.XX°±2°	DRAWN	
APPROVAL 	CHECKED 	SCALE 2/1	SHEET 1/1
PROJ.		REV A	

Giga-Maxx

REV	DATE	MODIFICATION	DRAWN
D			Zach



Giga-Maxx			
DIMENSION IN mm (Inch) TOLERANCE UNLESS OTHERWISE SPECIFIED		MATERIAL PC	DWG NO. PLUG INSERT-040A
.X±0.20	.X°±5°	TITLE	
.XX±0.10	.XX°±2°	TITLE	
APPROVAL	CHECKED	DRAWN Zach	SCALE 5/1
<input type="checkbox"/>	<input type="checkbox"/>	PROJ.	SHEET 1/1
		REV D	