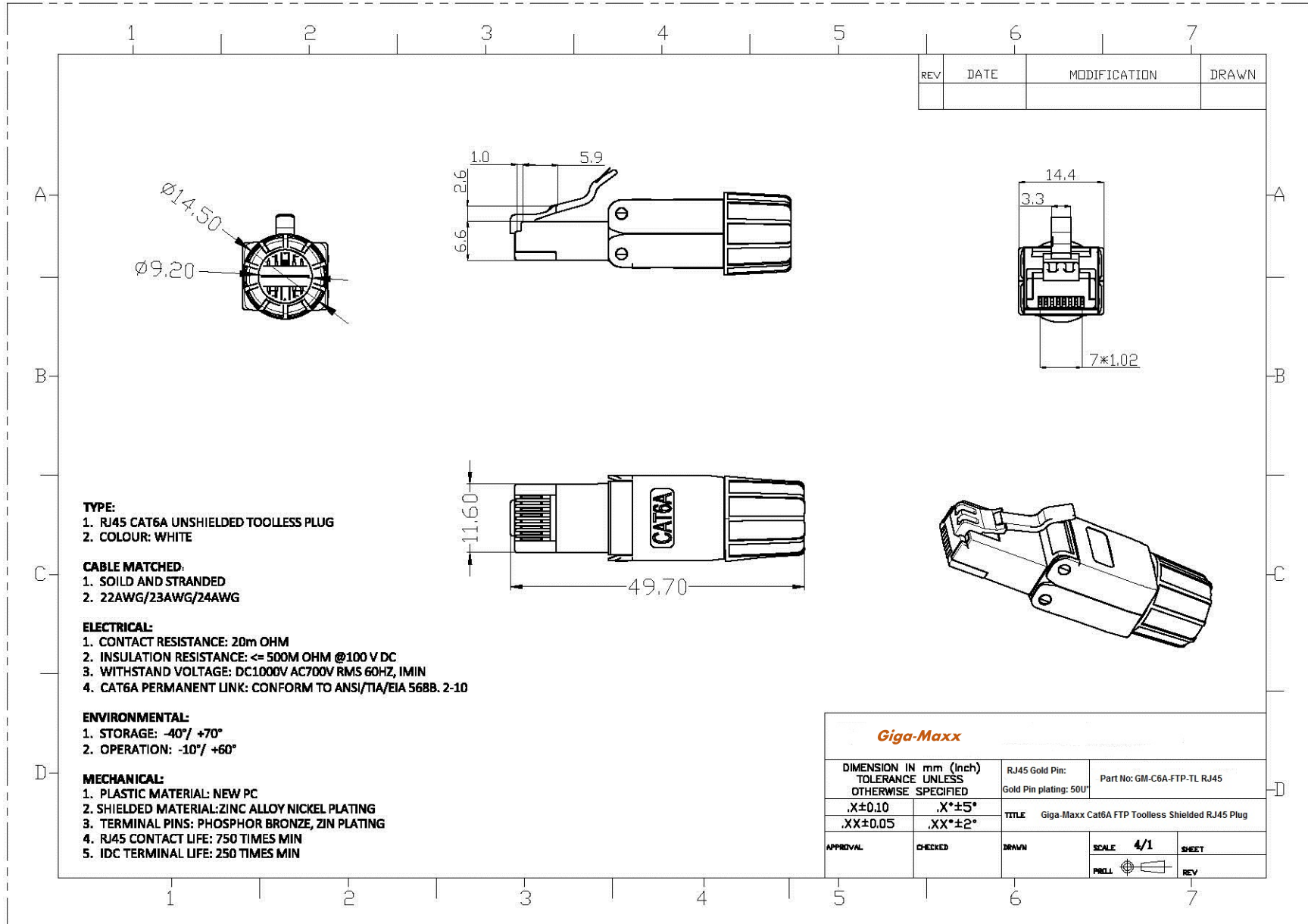
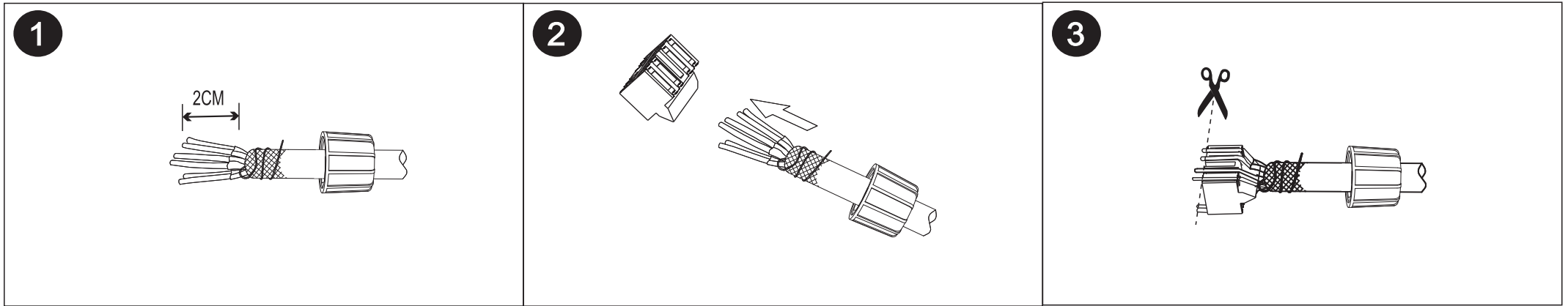


# Giga-Maxx

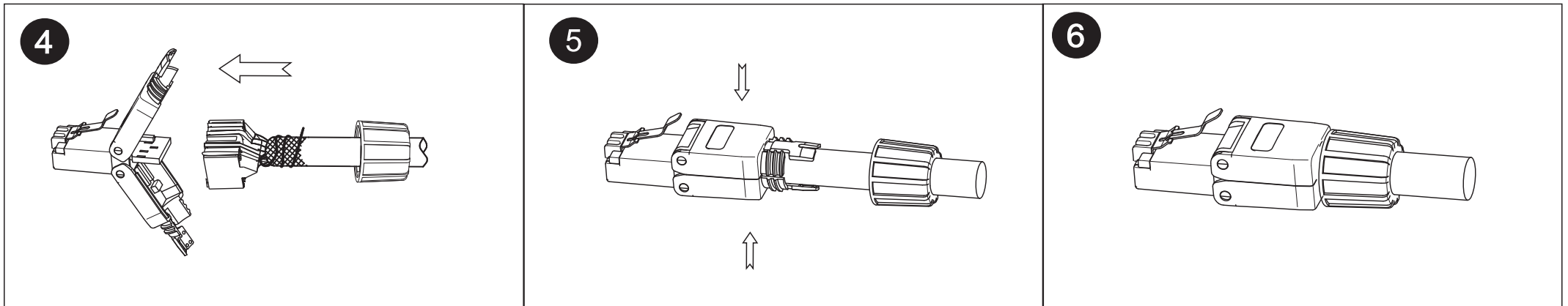




1  
TAKE OF THE CABLE JACKET BY  
TOOL ABOUT 2CM

2  
PUT CABLE INTO IDC  
ACCORDING TERMINAL T568

3  
CUT AWAY THE EXTRA WIRES



4  
TO INSERT IDC INTO PCB

5  
PRESS DOWN BOTH SIDE METAL  
HOUSING UNTIL THE WIRE INTO  
THE IDC PIN CHASE

6  
THE FINISHED PRODUCT

