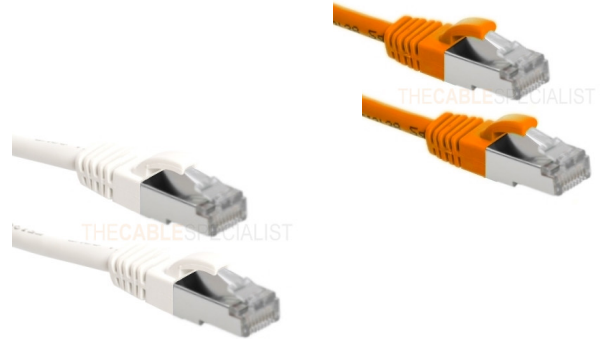


Product Specification

FEATURES:

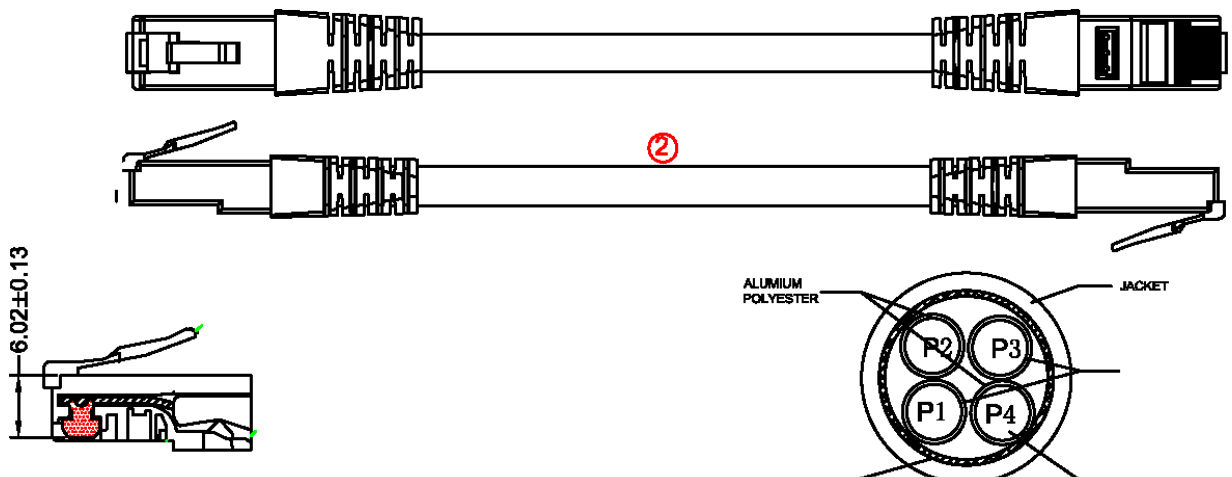
Compliance with Cat.6A requirements and standards:

- ANSI/TIA/EIA 568-C.2
- ISO/IEC 11801 2nd Ed. Ad.1.2
- ISO/IEC 61156-6 2nd Ed.
- IEC 61935-2 CENELEC EN 50288
- PoE IEEE802.3af
- LSZH
- Flame retardance according to IEC
- Flame Propagation 60332-1-2,
- Zero Halogen non corrosive gases 60754-1/2
- Molded snag proof boot
- RoHS compliant

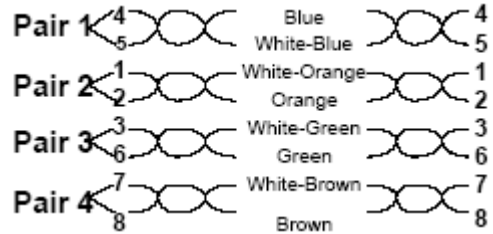
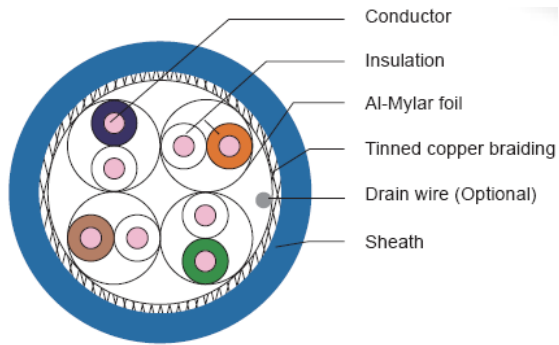


CHARACTERISTICS:

Conductor	Material / size	Bare Copper / 26 AWG	
	Construction	7/0.16 ± 0.005 mm	
Insulation	Material	Foam-Skin PE	
	Thickness	Average: 0.27 mm Min. at any point: 0.3 mm	
	Diameter	1.08 ± 0.03 mm	
Inner-Shield	Aluminum-Mylar	An aluminum foil screen on outside surface	
Braid	Material	Tinned Copper	
	Construction	16 Carriers / 5 Strands / 0.10 mm , 8 Picks / in	
	Coverage	Min. 40%	
Sheath	Material	LSZH	
	Thickness	Average: 0.5 mm Min. at any point: 0.40	
	Diameter	6.2 ± 0.2 mm	

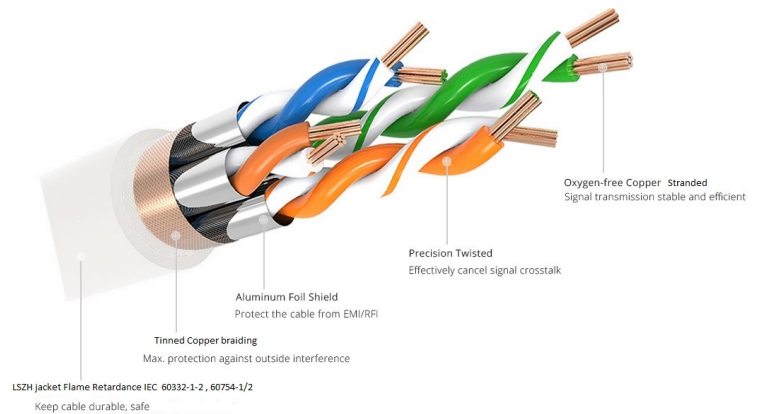


Product Specification



APPLICATION:

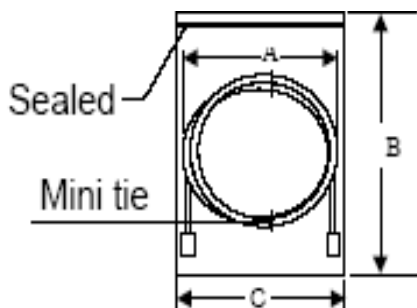
- 10G BASE-T Ethernet 1000BASE-TX
- Gigabit Ethernet 1000BASE-T
- Gigabit Ethernet 100BASE-TX Fast
- Ethernet 10BASE-T Ethernet
- Voice, Video and other applications



ORDERING INFORMATION:

Part No: GM-Cat6AFPC XX-XX-XX

Description Cat.6A S/FTP patch cord Snagless Molded Boot,LSOH Gray



packing	Length	L<3m	3m< L<10m	10m< L
	(A) mm	180+/-5	180+/-5	175~205
	Cable width			
	(B×C) mm	280×203	305×240	305×240
	PE bag size			
Carton size	42*42*25cm			